

BV-C3000CL 4K Color Dual-Line Scan Camera

4K color dual-line scan camera 'BV-C3000CL' is compact size, light weight designed for industrial usage.

BV-C3000CL is a build-to-order product.



Features

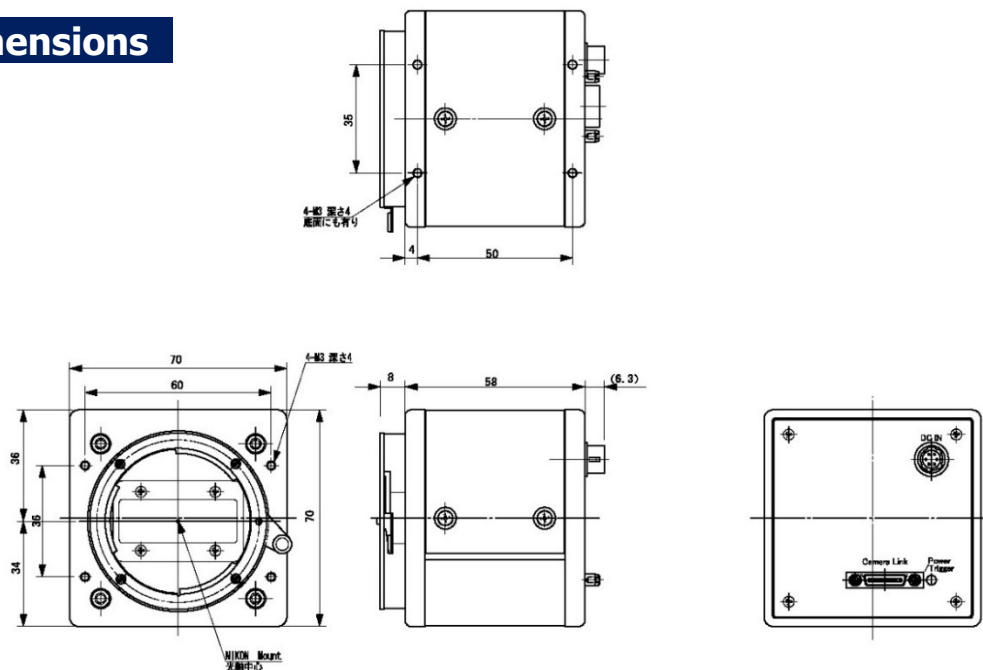
- ◆ 4096pixels, 7 μ m square pixel, Color-Dual Line sensor
- ◆ Light weight, Compact size
- ◆ Pixel clock 84MHz, Line frequency 20kHz
- ◆ Variable electronic shutter speed setting in between 44 μ s and 9996 μ s (by 6 μ s step)
- ◆ Camera Link base configuration, 8bit x3
- ◆ Gain setting: 0dB~+12dB
- ◆ Internal sync, External trigger sync
- ◆ Shading correction by pixel base (PRNU, DSNU)
- ◆ Lens aberration correction
- ◆ 3 operation modes (No Shutter mode, Shutter Select mode, Pulse width trigger)
- ◆ Camera Link I/F, 115200bps
- ◆ Customer onsite Firmware update (without dismantle of camera)
- ◆ Free Camera control tool

Specifications

Function	Specification
Image Sensor	4096pixels, 7 μ m square pixel, Color dual line sensor
Effective capture length	28.672mm
Synchronization	Internal sync, External trigger
Pixel clock	84MHz
Line frequency	20kHz
Image output	Cameralink base config 8bit x 3
Standard illuminance	36000lx (F5.6, Exposure time=44 μ s, Gain 0dB)
S/N	8 bit steps (s/n \geq 50dB)
Line rate (Valuable)	1kHz \sim 20kHz
Electronic shutter	44 μ s \sim 9996 μ s (by 6 μ s step)
Gain	R/G/B -6dB \sim +24dB
Black level	R/G/B 0LSB \sim 127LSB
Trigger input	Camera Link LVDS (CC1)
Operation mode	1. No Shutter mode (Internal/External trigger) 2. Shutter Select mode (Internal/External trigger) 3. Pulse Width Control (External trigger)
Functions	PRNU, DSNU, Shading correction, Lens aberration correction(ON/OFF)
Interface	Camera Link EIA644, 115200bps
Lens mount	F mount
Input voltage / Power consumption	DC 12V \sim 24V, Normal 0.3A / Max 0.35A (in case of DC12V input)
Operating temperature / humidity	-5 $^{\circ}$ C \sim +45 $^{\circ}$ C / 20% \sim 80% (Non condensing)
Storage temperature / humidity	-25 $^{\circ}$ C \sim +60 $^{\circ}$ C / 20% \sim 80% (Non condensing)
Dimensions (WxHxD)	70 x 70 x 58 mm
Weight	320g

*Remark- Spec data maybe updated for the goods improvement.

Dimensions



BlueVision Co., Ltd.

3-17-2 Shin-Yokohama, Kohoku-ku
Yokohama, Kanagawa 222-0033 JAPAN
TEL: +81(0)45-471-4595 / FAX: +81(0)45-471-4598
E-mail: sales@bluevision.jp
URL: <https://www.bluevision.jp>

