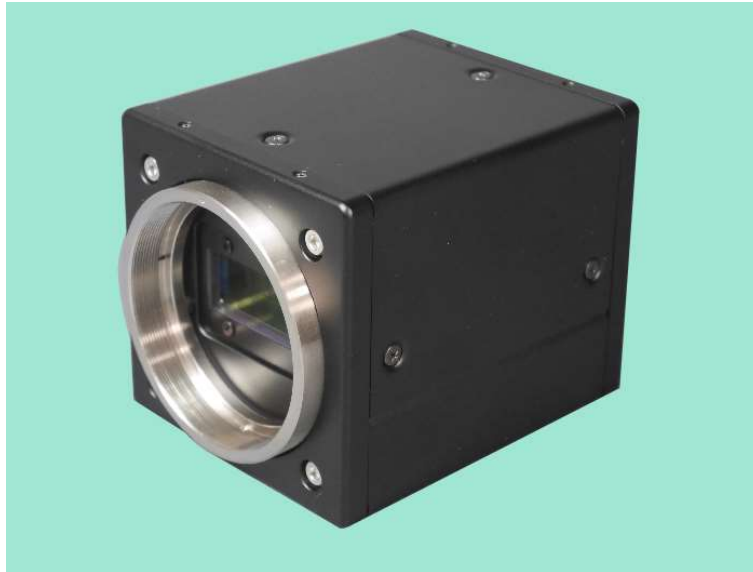


BV-C5200 3CMOS 2K RGB Line Scan Camera

BV-C5200 equips newly developed prism optics for line sensors in lightweight and compact body and uses three 2K CMOS line sensors to capture R, G and B wavelength simultaneously. BV-C5200 is a build-to-order product.



Key features

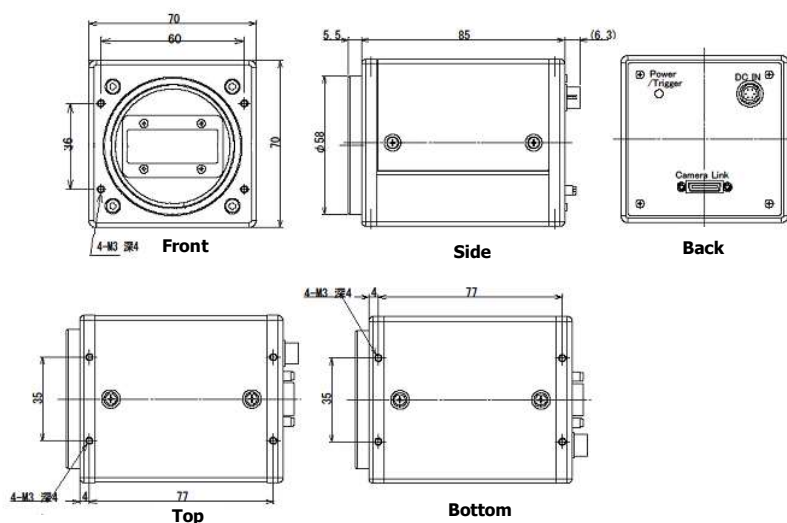
- ◆ Newly developed RGB Dichroic prism for line scan camera
- ◆ Three CMOS, 2048 pixels, 14 μ m square pixel sensors to be used
- ◆ Small size, light in weight, compact body design
- ◆ Pixel clock cycle of 80MHz and line rate of 32,050 lines/second
- ◆ Variable electronic shutter from 9.52 μ s to 100ms in 12.5ns unit
- ◆ Camera Link Base configuration, 8bit \times 3 output
- ◆ Gain setting from -3dB to +12dB
- ◆ Internal or External trigger for synchronization
- ◆ Various compensation functions are installed (see back page)
- ◆ Three electronic shutter modes (No Shutter mode, Shutter Select mode, Pulse width)
- ◆ Communication interface by Camera Link, Baud rate of 115200bps
- ◆ Field update function
- ◆ Camera Control Tool is available

Specifications

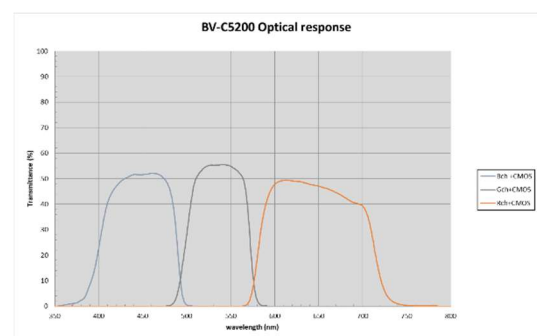
BV-C5200 (Build-to-order)	
Optical system	RGB Dichroic prism
Image sensor	2048 pixels, 14μm square pixel, CMOS line sensor ×3
Effective image length	28.672 mm
Synchronization	Internal / External trigger
Camera Link Pixel clock cycle	80MHz, 40MHz (option)
Line rate / Line frequency	31.2μs / 32.05 kHz (Internal)
Image output	Camera Link, Base configuration, 8bit ×3 output
Standard illumination	3500lx (Color temp. 7800K equivalent, Gain Low, Shutter OFF, F2.8, Line rate 270μs, 100% video)
S/N	8bit gradation (S/N: more than 48dB)
Line rate variable range	31.2μs ~ 100ms in 12.5ns unit
Electronic shutter	Variable range 9.52μs ~ 100ms in 12.5ns unit
Gain	R/G/B -3 dB ~ +12dB
Black level	R/G/B 0LSB ~ 31LSB
Trigger input	Camera Link LVDS (CC1)
Electronic shutter mode	1. No Shutter mode (Internal/External trigger) 2. Shutter Select mode (Internal/External trigger) 3. Pulse Width Control (External trigger)
Compensation	DSNU, Flat/Color Shading compensation, Lens aberration compensation (ON/OFF)
Communication interface	Camera Link EIA644, Baud rate 115200bps
Lens mount	M52 mount, F mount (option)
Input voltage / Current consumption	DC 12V~24V, Typical 0.42A / Max. 0.5A (in case of DC12V input)
Operating Temp. / Humidity	-5°C~+45°C / 20%~80% (non-condensing)
Storage Temp. / Humidity	-25°C~+60°C / 20%~80% (non-condensing)
Dimensions (W×H×D)	70 × 70 × 85mm (excluding protrusion)
Weight	570g

Specifications are subject to change without prior notice.

Dimension



Optical Response



BlueVision Ltd., Japan

3-17-2 Shin-Yokohama, Kohoku-ku, Yokohama
Kanagawa, 222-0033 Japan

TEL: 045-471-4595 FAX: 045-471-4598

URL: <http://www.bluevision.jp> / Contact: sales@bluevision.jp

