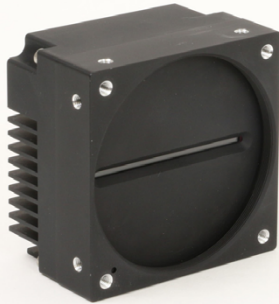


Linea 16K Camera Link HS

Monochrome CMOS Line Scan Cameras



High Performance, Low Cost

The new Linea™ line scan cameras deliver the exceptional performance and features found in Teledyne DALSA's current lineup of high-end cameras at an unprecedented price point.

Based on the most advanced CMOS line scan technology, the camera employs a 16k single line $3.5 \mu\text{m} \times 3.5 \mu\text{m}$ pixel array at a 71 kHz maximum line rate. With excellent sensitivity and speed, Linea surpasses the requirements of demanding applications—such as materials grading and inspection, transportation safety, and general purpose machine vision.

Linea is a compact, light weight and robust camera with many attractive features, including flat-field correction, multiple ROI and AOI, multiple user configuration sets, and calibration coefficients for various lighting conditions.

GenICam™ compliant Linea is easy to set up and integrate using a GUI, such as Teledyne DALSA's Sopera™ camera configuration utility CamExpert.

Key Features

- High speed: up to 71 kHz
- 16,384 pixel resolution
- Low cost and compact
- Camera Link HS interface

Programmability

- Multiple regions of interest and areas of interest for calibration and data reduction
- 8 or 12 bit output, selectable
- 8 programmable coefficient sets

Typical Applications

- Automated optical inspection
- Security systems
- High performance sorting systems
- Materials grading and inspection systems
- Web inspection
- General purpose machine vision

Regulatory Compliance

- CE, FCC and RoHS

Specifications

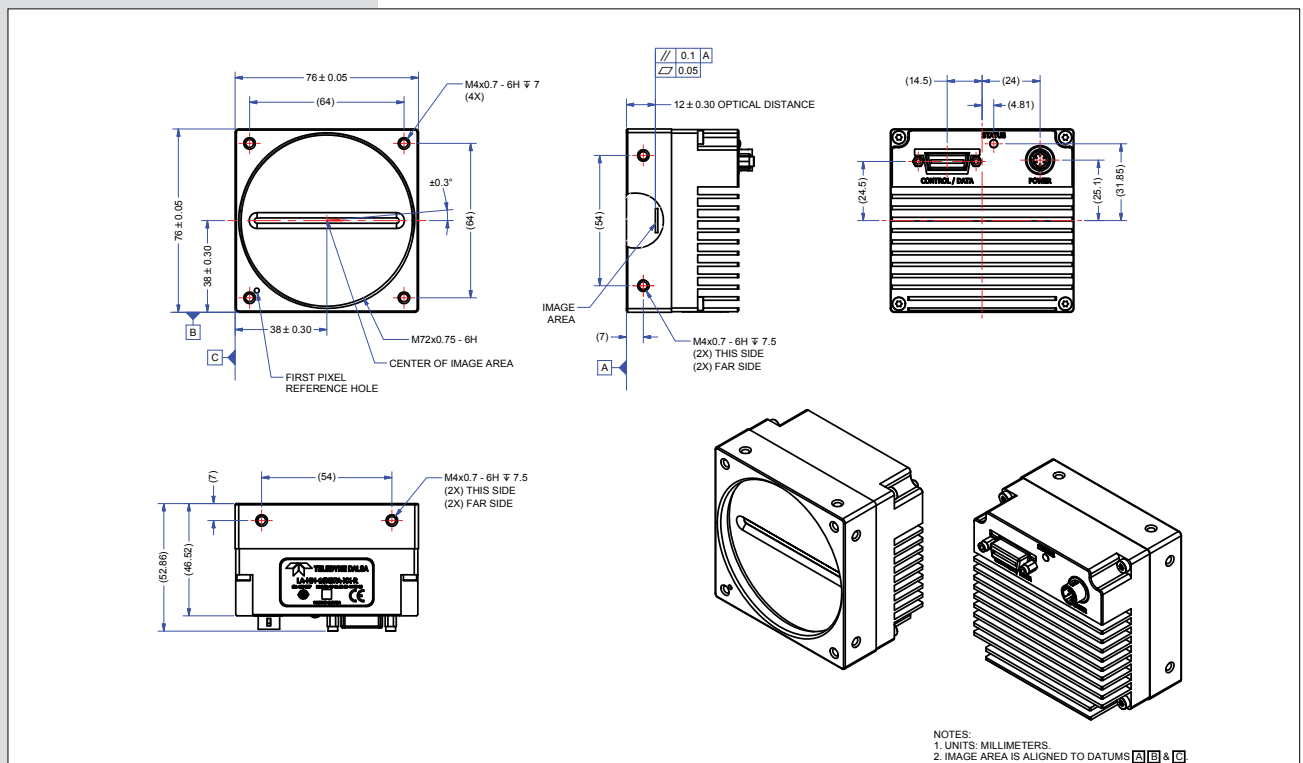
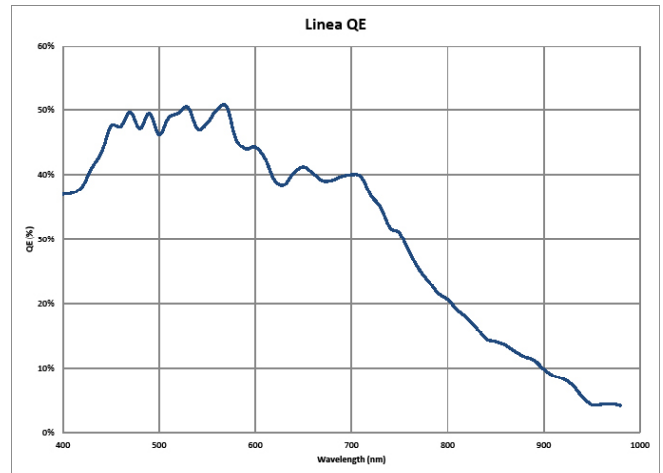
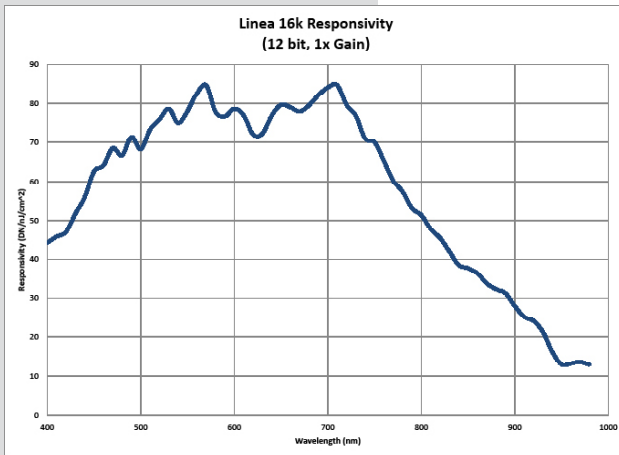
Resolution	16,384 pixels
Line Rate	71 kHz, maximum
Pixel Size	$3.5 \mu\text{m} \times 3.5 \mu\text{m}$
Data Format	8 or 12 bit selectable
Output	Camera Link HS
Lens Mount	M72 x 0.75, F-mount adapter available
Responsivity	80 DN / (nJ / cm ²) in 12 bit @ 1x gain
Dynamic Range	> 60 dB
Nominal Gain Range	1x to 10x
Size	76.0 mm x 76.0 mm x 52.86 mm
Mass	< 360 g
Operating Temp	0 °C to +65 °C (front plate)
Power	+12 V to +24 V DC, Hirose 6-pin
Power Dissipation	< 15 W
Control & Data	Camera Link HS

Models

Part Number	Resolution	Maximum Line Rates	Pixel Size
LA-HM-16K07A-00-R	16,384	71 kHz	$3.5 \mu\text{m} \times 3.5 \mu\text{m}$

Linea 16K Camera Link HS

Monochrome CMOS Line Scan Cameras



www.teledynedalsa.com

Americas
 Boston, USA
 +1 978-670-2000
sales.americas@teledynedalsa.com

Europe
 Krailling, Germany
 +49 89-89-54-57-3-80
sales.europe@teledynedalsa.com

Asia Pacific
 Tokyo, Japan
 +81 3-5960-6353
sales.asia@teledynedalsa.com

Shanghai, China
 +86 21-6427-9081
sales.asia@teledynedalsa.com

Teledyne DALSA has its corporate offices in Waterloo, Canada
 Teledyne DALSA reserves the right to make changes at any time without notice. Teledyne DALSA © 2016.
 Revision number 03-070-20103-01. Revision date March 01, 2017.

