

## BV-C340H HDTV Color Video Camera

**BV-C340H is a HDTV color video camera utilizing 1/1.8-inch Global shutter CMOS sensor. It provides 1920x1080 pixels, progressive 60 frames or 50 frames per second and other HDTV formats. The interface for HDTV signals is 3G-SDI or HD-SDI.**



### Key Features

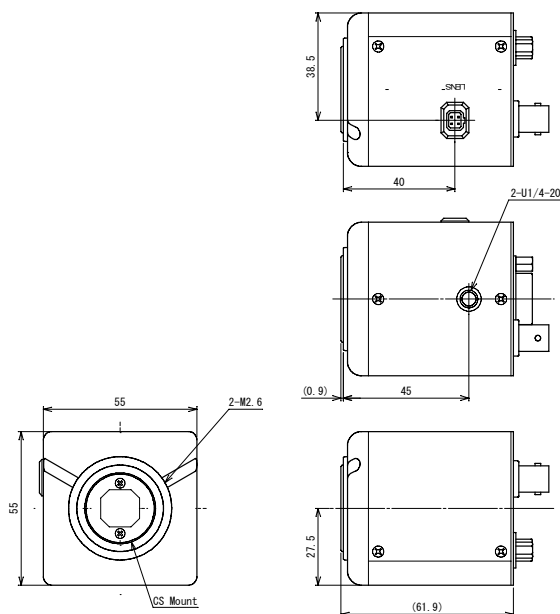
- ◆ Global shutter, 3.2 Mega, 1/1.8-inch CMOS sensor
- ◆ 1920 x 1080 pixels output through 3G-SDI or HD-SDI interface
- ◆ Full HD outputs featuring 3G-SDI : 1080/60P/50P,  
HD-SDI : 1080/30P/25P, 1080/60i/50i
- ◆ NTSC or PAL output is available for monitoring
- ◆ Maximum 48dB gain up
- ◆ Minimum illumination of 0.015 lux (48dB gain, 1/30 fps and binning ON)
- ◆ "ALC dual run" function supports a video output control in various lighting conditions by combining auto iris, electronic shutter and AGC
- ◆ Internal or External synchronization (HD/VD)
- ◆ Gain up with 2:1 binning ON/OFF function (960 x 540 pixels image)
- ◆ Placing switches for On Screen Display on the rear panel to set camera functions
- ◆ Various functions to create the image suitable for the shooting environment  
Electronic shutter, Auto white balance, Digital noise reduction, Lens shading,  
Gamma, Auto bright, Digital zoom, Fog reduction, Digital image stabilization,  
Back light, Freeze, NEGA-POSI reverse
- ◆ Control the camera through RS485 interface
- ◆ HD\_CONT\_TOOL is available to control the camera remotely

## Specifications

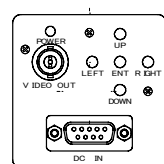
Items & Functions	BV-C340H
Image sensor	1/1.8-inch Bayer CMOS, Global shutter
Total pixel	2064(H) x 1554(V)
Effective image pixel	1920(H) x 1080(V) Image circle is equivalent to 1/2.35-inch
Scan system	Progressive
Synchronization	Internal / External (HD/VD)
Video output	Digital: 3G-SDI: 1080/60P/50P HD-SDI : 1080/30P/25P, 1080/60i/50i, 720/60P/50P Analog: NTSC/PAL
Minimum illumination	0.015lx (AGC 48dB, 1/3 fps, Binning ON, Video level 50IRE)
S/N	50dB (Typical) (AGC off)
Gamma correction	ON:0.45/OFF:1.0, 0.9~0.4 variable
AGC	Max. 48dB
Iris control	Lens iris ( D C control)
Electronic shutter	OFF, 1/100、1/120 ~ 1/10000
Binning	ON/OFF 960x540 pixels
Interface	RS-485
Lens mount	CS mount
Input voltage	DC 12V
Current consumption	280mA (Use DC lens、 in operation)
Operating temperature/ humidity	-10°C ~ +50°C / 20% ~ 80% (no-condensing)
Storage temperature/ humidity	-30°C ~ +70°C / 20% ~ 80% (no-condensing)
Dimensions (WxHxD)	55 x 55 x 61mm (excluding protrusion)
Weight	235g

Specifications are subject to change without prior notice.

## Dimensions



## Rear Panel



## BlueVision Co., Ltd.

3-17-2 Shin-Yokohama, Kohoku-ku  
Yokohama-shi, Kanagawa 222-0033 JAPAN  
TEL: 045-471-4595 / FAX: 045-471-4598  
URL: <https://www.bluevision.jp>  
Contact: [sales@bluevision.jp](mailto:sales@bluevision.jp)

