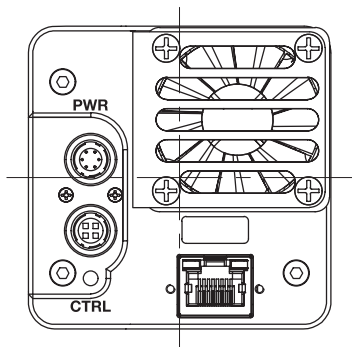
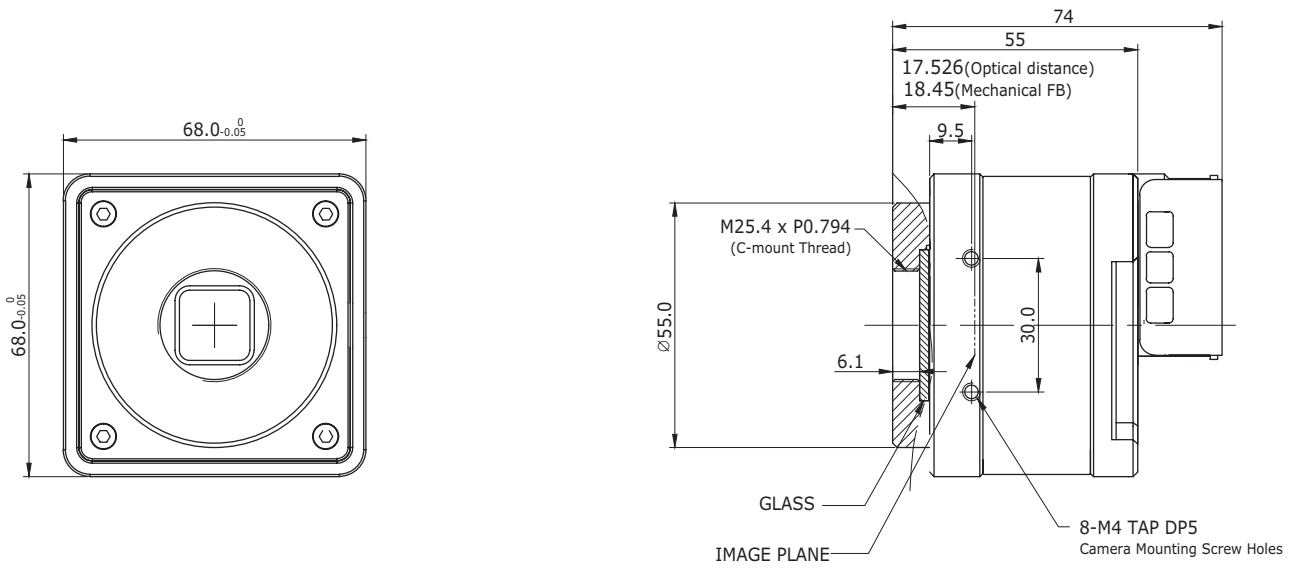


VC-25M10G-M/C 41 I

25 Megapixel High Speed CMOS Digital Camera with 10 GigE Interface

Mechanical Dimensions

Unit: mm



VC-25M10G-M/C 41 I

25 Megapixel High Speed CMOS Digital Camera
with 10 GigE Interface



The VC-25M10G-M/C 41 I camera is Vieworks' first camera with the 10 GigE interface. The camera uses the latest CMOS global shutter image sensor (GMAX0505) technology from Gpixel and offers up to 41.7 frames per second at 5120 × 5120 resolution. Equipped with the Vieworks' innovative technologies proved by world's top FPD manufacturers, this camera offers not only fast frame rates but also highly uniformed images. Its 10 GigE interface supports transmitting image data at up to 10 gigabit per second and results in ten times faster speed than Gigabit Ethernet. Featuring high speed and high performance, the VC-25M10G-M/C 41 I camera is an excellent choice for demanding applications, such as FPD, PCB and semiconductor inspections.

VIEWORKS

vision.vieworks.com

VC-25M10G-M/C 41 I

25 Megapixel High Speed CMOS Digital Camera with 10 GigE Interface

Main Features

- 25 Megapixel Resolution
- 10 GigE Interface up to 41.7 fps
- Global Shutter CMOS Technology
- Multi-ROI up to 16
- DSNU and PRNU Correction
- Flat Field Correction
- Defective Pixel Correction
- GenICam Compatible – XML based Control

Applications

- Flat Panel Display Inspection
- Electronics Inspection
- Semiconductor Inspection
- Document / Film Scanning

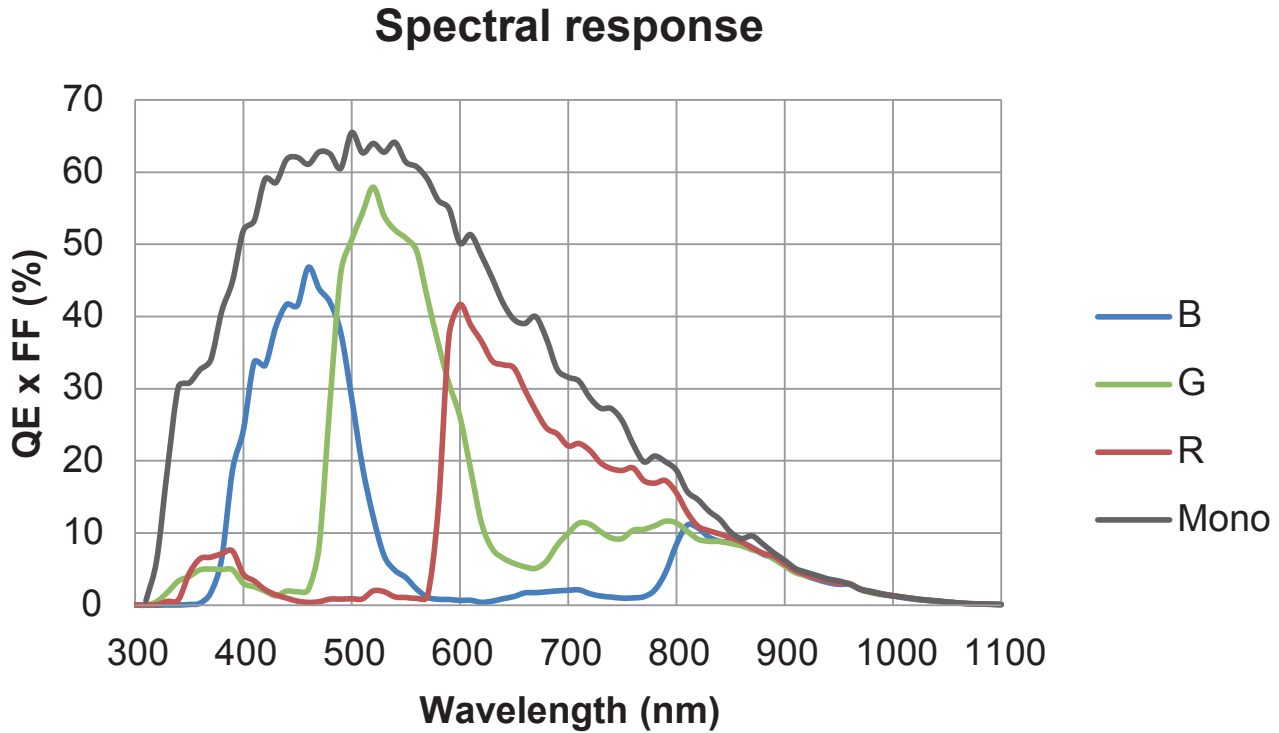
Specifications

Model	VC-25M10G-M/C 41 I	
Resolution (H × V)	5120 × 5120	
Sensor	Gpixel GMAX0505	
Sensor Size (Diagonal)	12.8 mm × 12.8 mm (18.1 mm)	
Pixel Size	2.5 μm × 2.5 μm	
Interface	10 GigE	
Max. Frame Rate	10 bit / 12 bit	22.3 fps
	10 bit p / 12 bit p	29.4 fps
	8 bit	41.7 fps
Exposure Time (1 μs step)	1 μs – 60 s	
Partial Scan (Max. Speed)	6144.4 fps at 16 × 4	
Binning	×1, ×2, ×4 (Horizontal and Vertical Independent)	
Pixel Data Format	Mono	Mono 8 / Mono 10p / Mono 10 / Mono 12p / Mono 12
	Color	GB Bayer 8 / GB Bayer 10p / GB Bayer 10 / GB Bayer 12p / GB Bayer 12
Electronic Shutter	Global Shutter	
Trigger Synchronization	Free-Run, Hardware Trigger or Software Trigger	
External Trigger	3.3 V ~ 24.0 V, 10 mA, Logical Level Input, Optically Isolated	
Software Trigger	Asynchronous, Programmable via Camera API	
Dynamic Range	65 dB	
Gain Control	1 × ~ 32 ×	
Black Level Control	0 ~ 255 LSB at 12 bit	
Dimension / Weight	68 mm × 68 mm × 74 mm, 460 g (with C-mount)	
Temperature	Operating: 0°C ~ 40°C, Storage: -40°C ~ 70°C	
Lens Mount	C-mount or F-mount, Custom mount available upon request	
Power	External	10 ~ 24 V DC
	Dissipation	Typ. 15.0 W
	PoE	IEEE 802.3at Power over Ethernet
Compliance	CE, FCC, KC (in preparation)	
API SDK	Vieworks Imaging Solution 7.X	

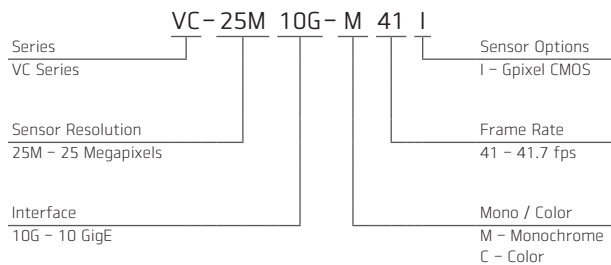
VC-25M10G-M/C 41 I

25 Megapixel High Speed CMOS Digital Camera with 10 GigE Interface

Spectral Response



Ordering Scheme



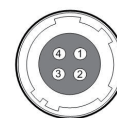
Connector Specification

Power



1, 2, 3: +12V DC
4, 5, 6: GND
(HR10A-7R-6PB)

Control



1: Trigger IN+
2: Trigger IN-
3: Strobe OUT-(GND)
4: Strobe OUT+
(HR10A-7R-4S)

Connectors on camera body