

BV-C3110 SWIR 1K Line Scan Camera

High speed, High Sensitivity, Compact



- Newly developed InGaAs sensor with 1024 pixels and 12.5 μ m square pixel size
- It covers from 900nm to 1700nm SWIR wavelength
- Maximum 40kHz line rate
- 4 selectable sensor sensitivity
- Compact and light weight of 270g/280g
- 3 camera interface compatible (Cameralink, USB, GigE)
- C mount

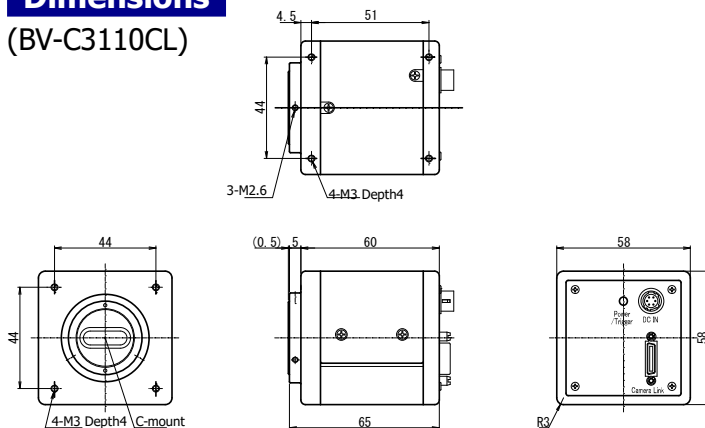
BlueVision Ltd., Japan

Specifications (* BV-C3110GE tentative spec)

Model name	BV-C3110CL	BV-C3110USB	BV-C3110GE
Image sensor	Effective pixel: 1024 pixels Pixel size: 12.5 μ m x 12.5 μ m Effective image length: 12.8mm		
Sensor bandwidth	900nm ~ 1700nm (Maximum sensitivity is 1600nm)		
Synchronization	Internal / External trigger		
Sensor clock frequency	15MHz (4ch simultaneous readout)		
Sensor line frequency	40kHz (Maximum) (Factory default setting: 10kHz)		
Conversion efficiency	4 steps selectable, Level 0/1/2/3 (Factory default setting: Level 1)		
Video S/N	More than 52dB (at Level 1)		
Shutter	Variable range: 20 μ s ~ 100ms (Recommended setting range: 20 μ s ~ 1ms)		
Gain	0dB ~ +18dB		
Black level	-128LSB ~ +127LSB (at 10bit output)		
Picture image collection	Built in (PRNU/ DSNU/ Shading)		
Image output	CameraLink Base configuration (8bit, 10bit or 12bit, 60MHz)	USB3.0 (USB3 Vision) MONO8/10/12/10P/12P	Gigabit Ethernet (1000BASE-T)
Operation mode	No Shutter mode (Internal)		
	Shutter select mode (Internal / External trigger)		
	Trigger width mode (External trigger)		
Trigger input	LVDS (CC1) ※ Positive logic / Negative logic selectable	TTL (Hirose 6 pin connector - pin2, pin5)	EIA-422 / TTL TTL
Serial communication interface	GeniCam [®] CameraLink [®] : EIA644 Baud Rate: 115200bps (9600bps)	GeniCam [®]	
Input voltage	DC: +12V ~ +24V (\pm 10%)		DC : +12V (\pm 1V)
Current consumption (DC12V input)	350mA (typical) 390mA (max)	350mA (typical) 390mA (max)	T.B.D.
Lens mount	C mount (1-inch type or bigger)		
Flange back	17.526 mm, Tolerance: 0 ~ -0.05 mm		
Operating Temp/Humid	-5°C ~ +45°C/ 20% ~ 80% (Non-condensing)		
Storage Temp./Humid.	-25°C ~ +60°C/ 20% ~ 80% (Non-condensing)		
Outlook dimensions	58(W) x 58(H) x 60(D) mm (Excluding protrusion and lens mount)		
Weight	270g	280g	270g

Dimensions

(BV-C3110CL)



Rear panel

(BV-C3110CL)



BlueVision Ltd., Japan

3-17-2 Shin-Yokohama, Kohoku-ku,
Yokohama, 222-0033, Kanagawa, Japan
TEL: 045-471-4595 / FAX: 045-471-4598

URL: <http://www.bluevision.jp> / Email: sales@bluevision.jp

